

LET

Multi

ELECTRIC

LED Elevated Taxiway Light

COMPLIANT WITH:

FAA-AC 150/5345-46
ICAO Annex 14

*NEW
ONLY 3 Watts*



GENERAL DESCRIPTION

The LETL is an Elevated Taxiway Fixture incorporating a cluster of High Intensity Light Emitting Diodes (LEDs) in a standard operating from a 6.6A series circuit. This feature allows the option of individual change out of fixtures or complete taxiway replacement. Extend your taxiway without up-sizing the regulator due to the low power consumption of these fixtures. Retro-Reflective blue marking allows identification with the power off.

ORDERING INFORMATION

L 861T Fixture

Lamp:

L - LED

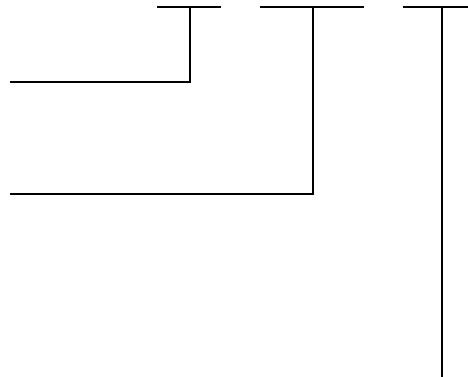
Color:

BB – Blue/Blue
BO – Blue / Obscured
OB – Obscured / Blue

Height:

14 – 14 inches
20 – 20 inches
24 – 24 inches
30 – 30 inches

6170 - X - X X - XX



EXAMPLE

14 " omni-blue fixture order:
6170-L-BB-14

Accessories

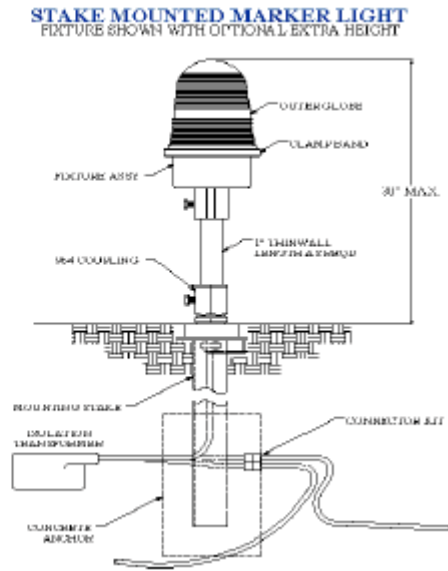
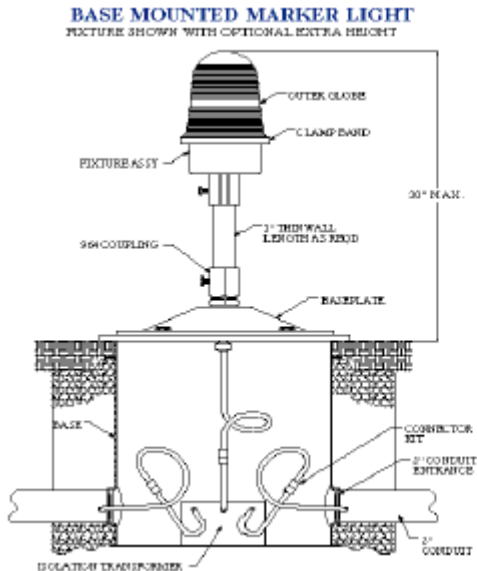
Catalog Number Description

1080 Baseplate, 1-1/2" tap, Aluminum
 1935 Baseplate, 1-1/2" tap, Steel
 1090 Stake Assembly, 1-1/2" tap

Replacement Parts

Catalog Number Description

6170-T	Basic Fixture Assembly	1170-16	Cable Assembly, 16" long
6170-T-BB	Omni Blue Lamp	1170-32	Cable Assembly, 32" long
6170-T-BO	180° Blue Lamp	1070-08A	1" Thinwall Tube, (14"h)
964	Frangible Coupling	1070-08B	1" Thinwall Tube, (20"h)
1090-01	Mounting Stake Angle	1070-08C	1" Thinwall Tube, (24"h)
1090-03	take fitting 1 1/2" Tap	1070-08D	1" Thinwall Tube, (30"h)



Multi

ELECTRIC

<http://www.multielectric.com>
 4223 W. Lake Street
 Chicago, IL 60624
 Tel: 773.722.1900 Fax: 773.722.5694
 Email: sales@multielectric.com